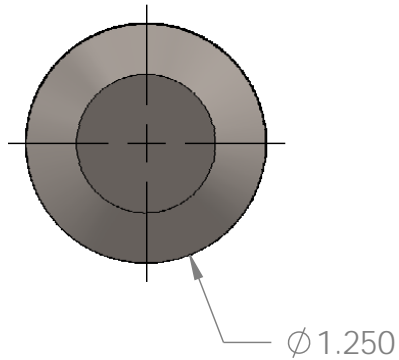
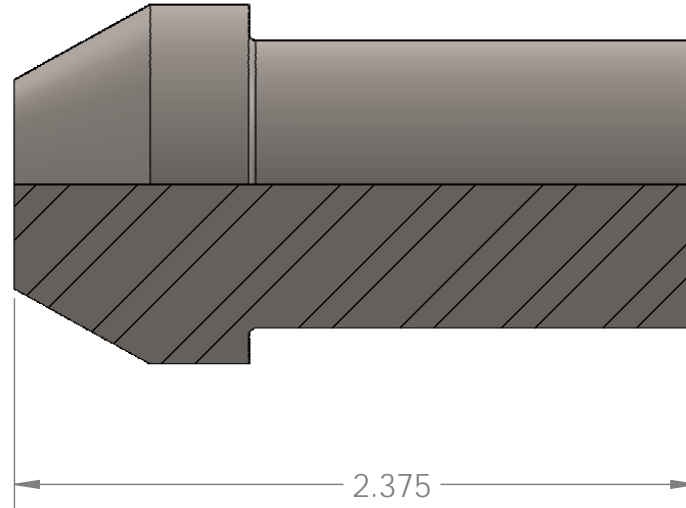
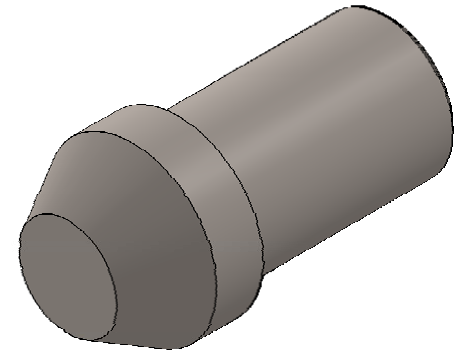




ultraPressure components

We can handle Pressure



1" MP PLUG

MATERIAL	316L S.S.
SEALS	NONE
WORKING PRESSURE	20,000 PSI

SIZE
A

DWG. NO.
5406P-16M

REV
0

SHEET 1 OF 1

5

4

3

2

1